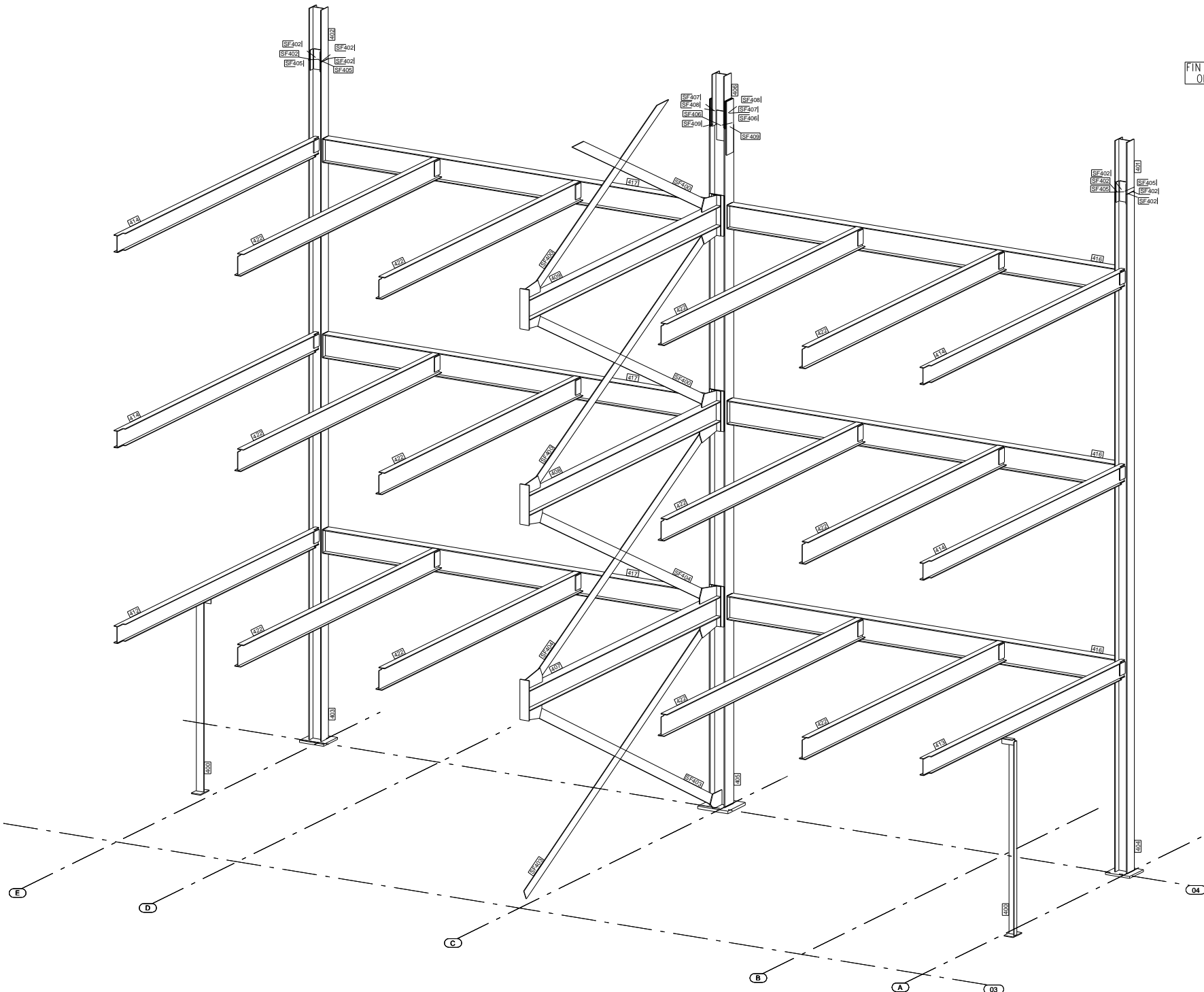


FIN PLATES TO BE TYPICALLY GL A/F/P  
OR GL 17 SIDE OF BEAM WEBS U.N.O.



<b>ROBINSON</b>	
<small>S. Robinson &amp; Sons (Engineers) Limited          Wincanton Close          Alcot Drive          Dursley          Glos. GL9 4JY          Tel: 01232 861481          Fax: 01232 861483          E-Mail: DO@robinsons.com          Web: www.robinsons.com</small>	
CLIENT <b>Opal Property Group</b>	
Chettles Yard, Nottingham	
TITLE <b>MARKING PLAN LOT 3 (BELOW SPLICE)</b>	
PROJECT NAME <b>Chettles Yard Block E</b>	
Scale: 1:25	Contract No: 5237
Arrangements by: D.N.	Drawing No: MP3
Designed by: D.N.	Issued on:
Checked by: R.C.	Project:
Date: 30.07.2010	Shot: SHOT BLAST & PRIME
Issue Status <b>Construction Issue</b>	